

ONKYO SERVICE MANUAL

7.1-CH HOME THEATER SPEAKER PACKAGE MODEL SKS-HT540(B)


-- Powered Subwoofer --
"SKW-540"



Black model

B MDC	120V AC, 60Hz
-------	---------------

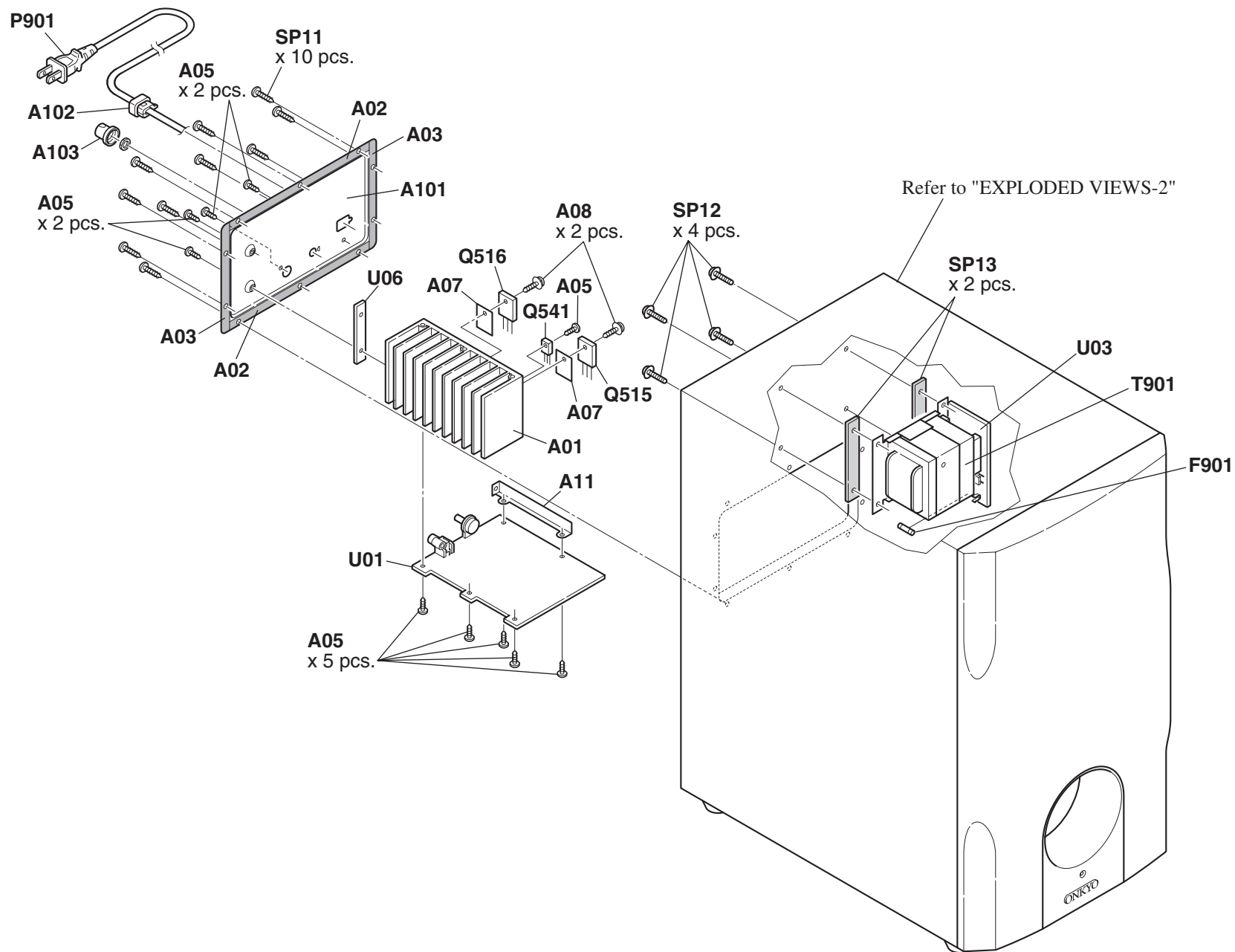
SAFETY-RELATED COMPONENT WARNING!!

COMPONENTS IDENTIFIED BY MARK  ON THE SCHEMATIC DIAGRAM AND IN THE PARTS LIST ARE CRITICAL FOR RISK OF FIRE AND ELECTRIC SHOCK. REPLACE THESE COMPONENTS WITH ONKYO PARTS WHOSE PART NUMBERS APPEAR AS SHOWN IN THIS MANUAL.

MAKE LEAKAGE-CURRENT OR RESISTANCE MEASUREMENTS TO DETERMINE THAT EXPOSED PARTS ARE ACCEPTABLY INSULATED FROM THE SUPPLY CIRCUIT BEFORE RETURNING THE APPLIANCE TO THE CUSTOMER.

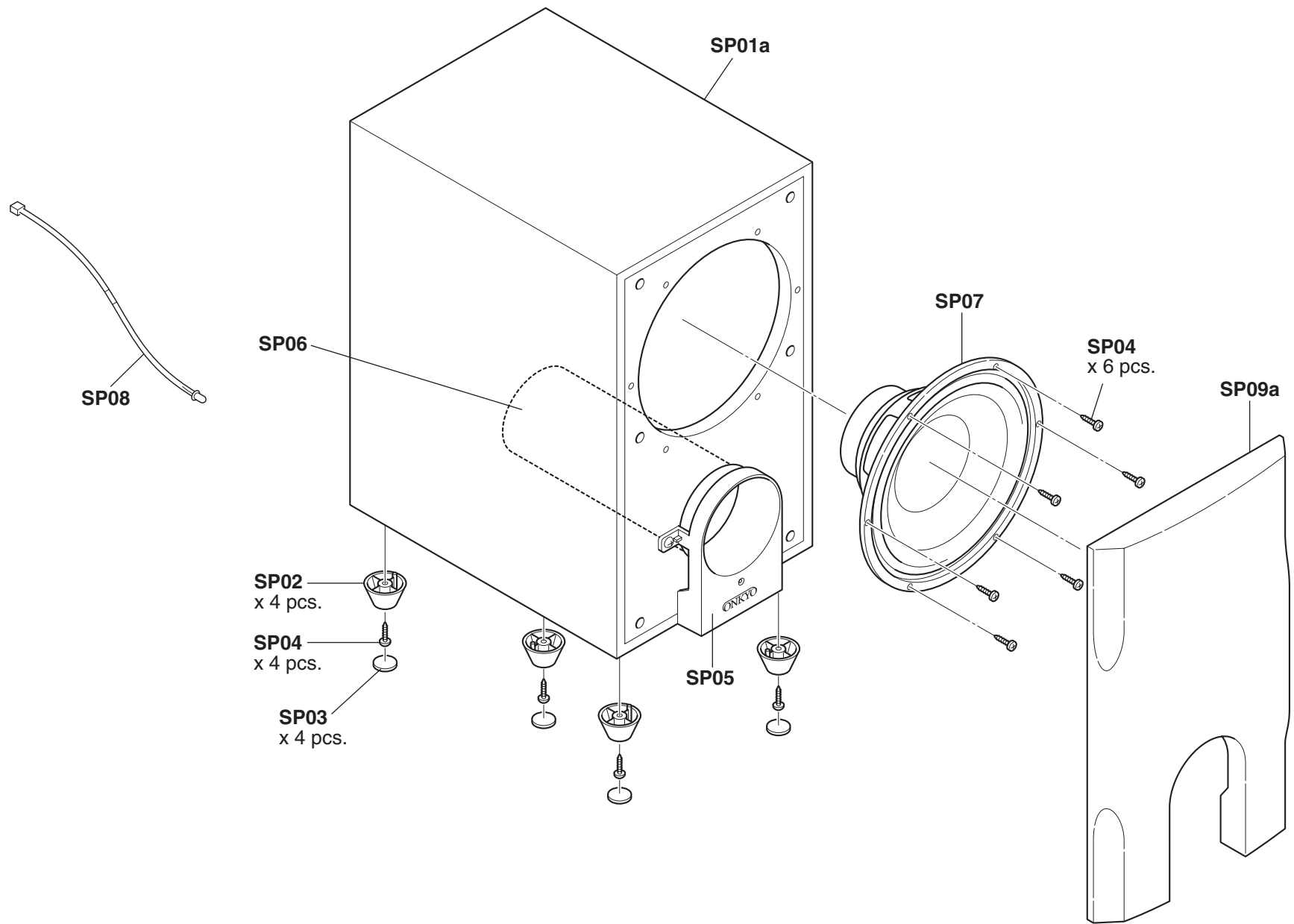
EXPLODED VIEWS-1

SKW-540 : POWERED SUBWOOFER



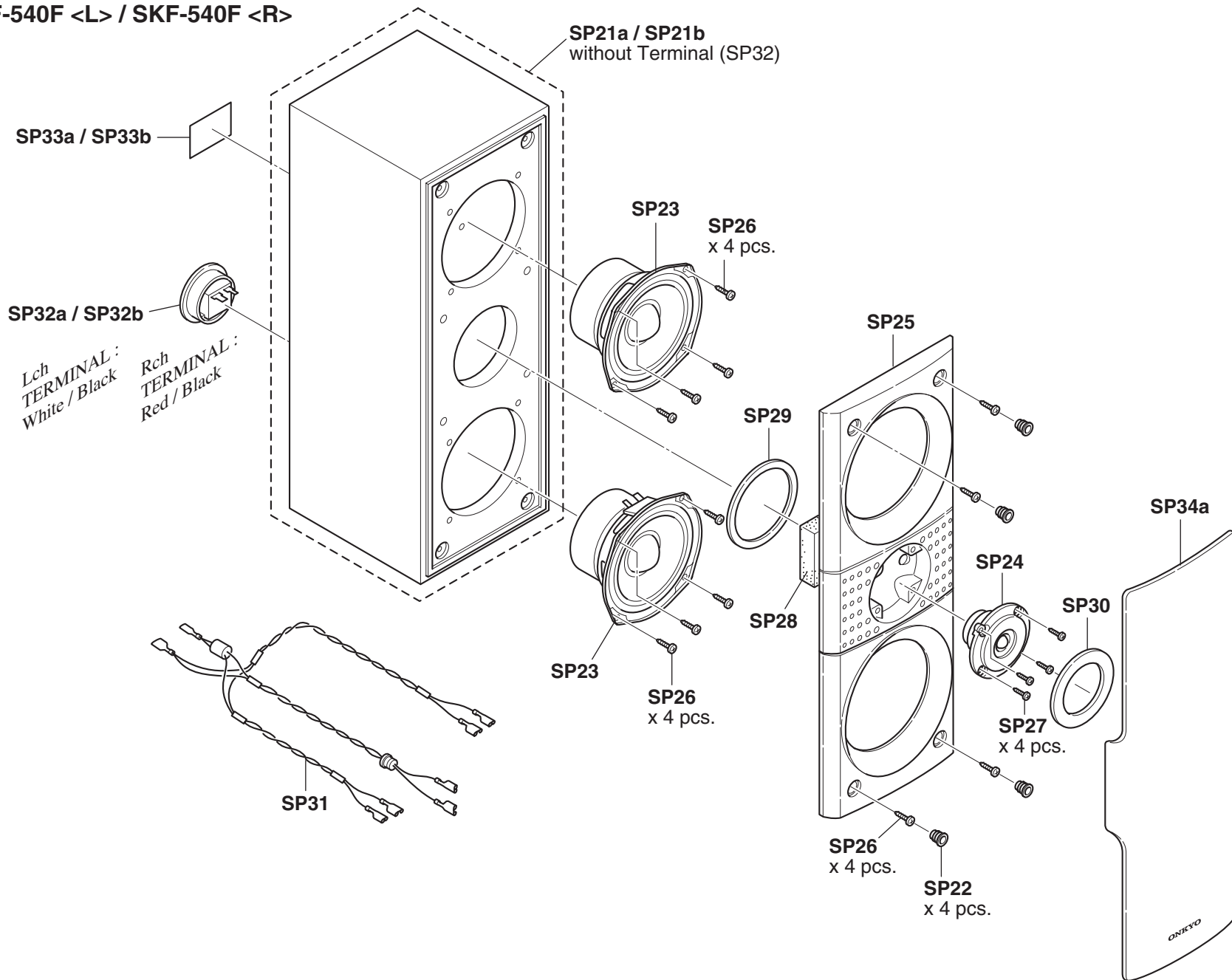
EXPLODED VIEWS-2

SKW-540 : POWERED SUBWOOFER



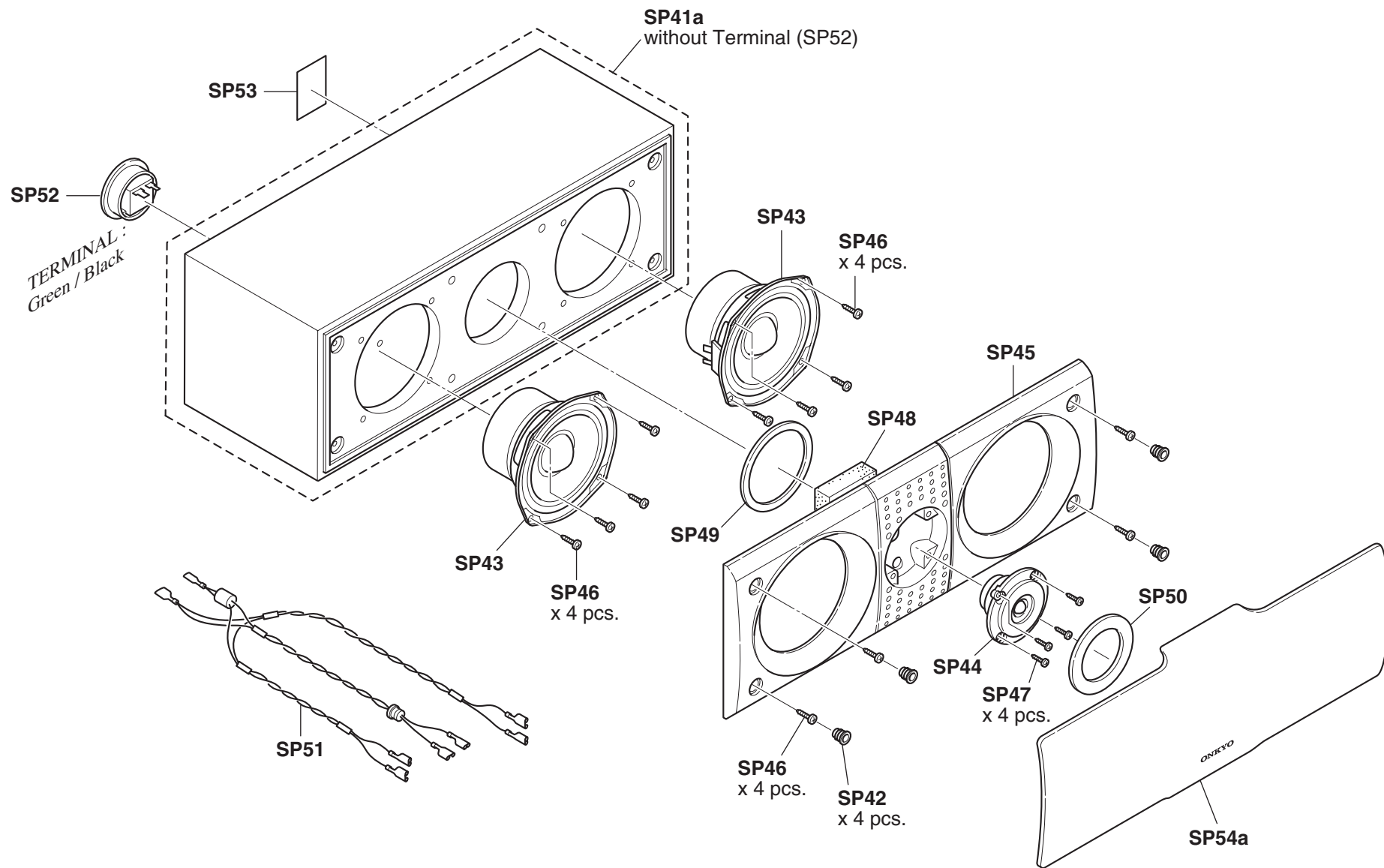
EXPLODED VIEWS-3

SKF-540F <L> / SKF-540F <R>



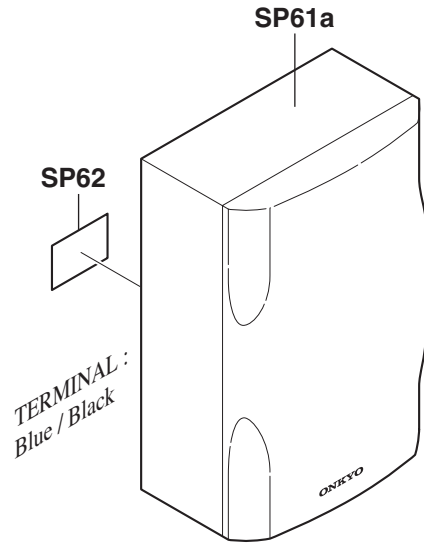
EXPLODED VIEWS-4

SKC-540C

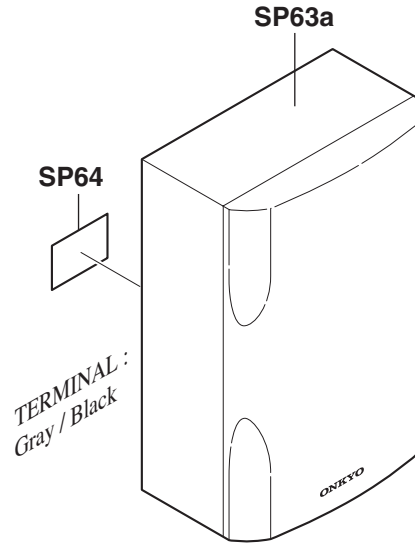


EXPLODED VIEWS-5

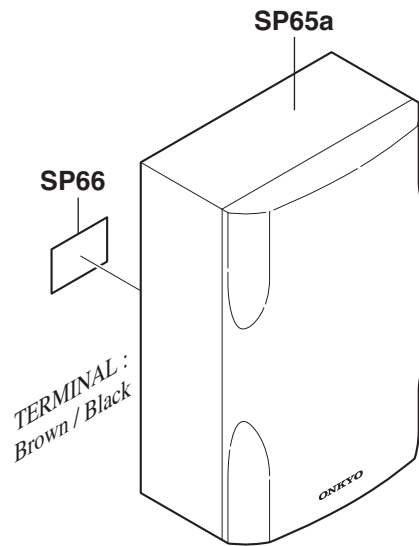
SKM-540S <L> / SKM-540S <R> / SKB-540 <L> / SKB-540 <R>



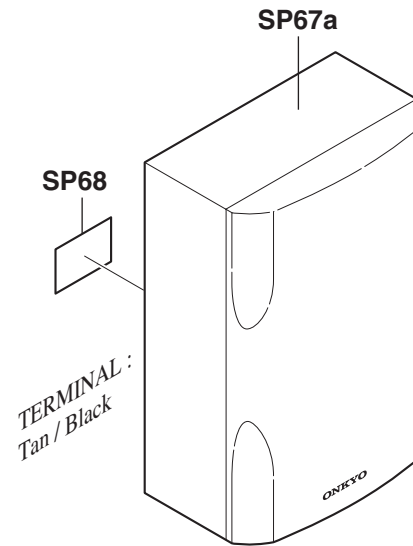
"SKM-540S <L>"



"SKM-540S <R>"



"SKB-540 <L>"



"SKB-540 <R>"

A

B

C

D

SCHEMATIC DIAGRAM SKW-540 : POWERED SUBWOOFER

U01 MAIN PC BOARD

NAAF

1

2

3

4

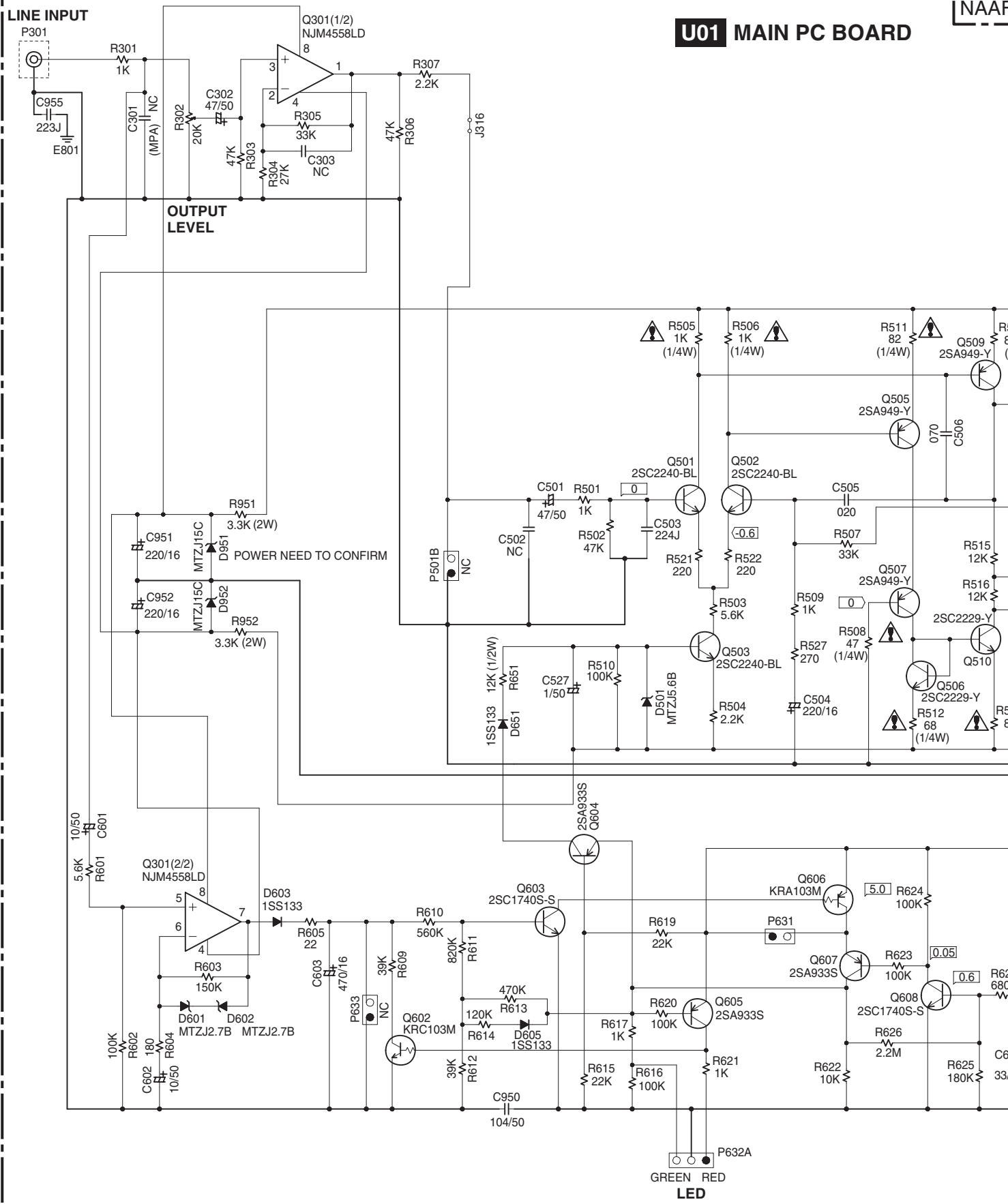
5

LINE INPUT

OUTPUT LEVEL

POWER NEED TO CONFIRM





GREEN RED
LED



AF-8829

<Note>
NC : No mount of parts.

NOTE

- THE COMPONENTS IDENTIFIED BY MARK  ARE CRITICAL FOR SAFETY. REPLACE ONLY WITH PART NUMBER SPECIFIED.
- VOLTAGE (MEASURED WITH VOLTMETER)  IS DC VOLTAGE.(NO INPUT SIGNAL).
- ALL PNP TRANSISTORS ARE EQUIVALENT TO 2SA1015-GR UNLESS OTHERWISE NOTED.
- ALL NPN TRANSISTORS ARE EQUIVALENT TO 2SC1815-GR UNLESS OTHERWISE NOTED.
- ALL DIODES ARE EQUIVALENT TO 1SS133 UNLESS OTHERWISE NOTED.
- ELECTROLYTIC CAPACITORS () ARE IN uF/WV.
- ALL CAPACITORS ARE IN pF/50V UNLESS OTHERWISE NOTED.
EX) 030- 3pF 330- 33pF 331- 330pF 333- 0.033uF
- ALL RESISTORS ARE IN OHMS 1/4WATTS UNLESS OTHERWISE NOTED.
- THE THICK LINES ON PC BOARD ARE THE PRINTING SIDE OF THE PARTS.
EX)  PRINTING SIDE
- CIRCUIT IS SUBJECT TO CHANGE FOR IMPROVEMENT.

CAUTION


FOR CONTINUED PROTECTION AGAINST FIRE HAZARD, REPLACE ONLY WITH FUSE OF SAME TYPE AND RATING INDICATED.




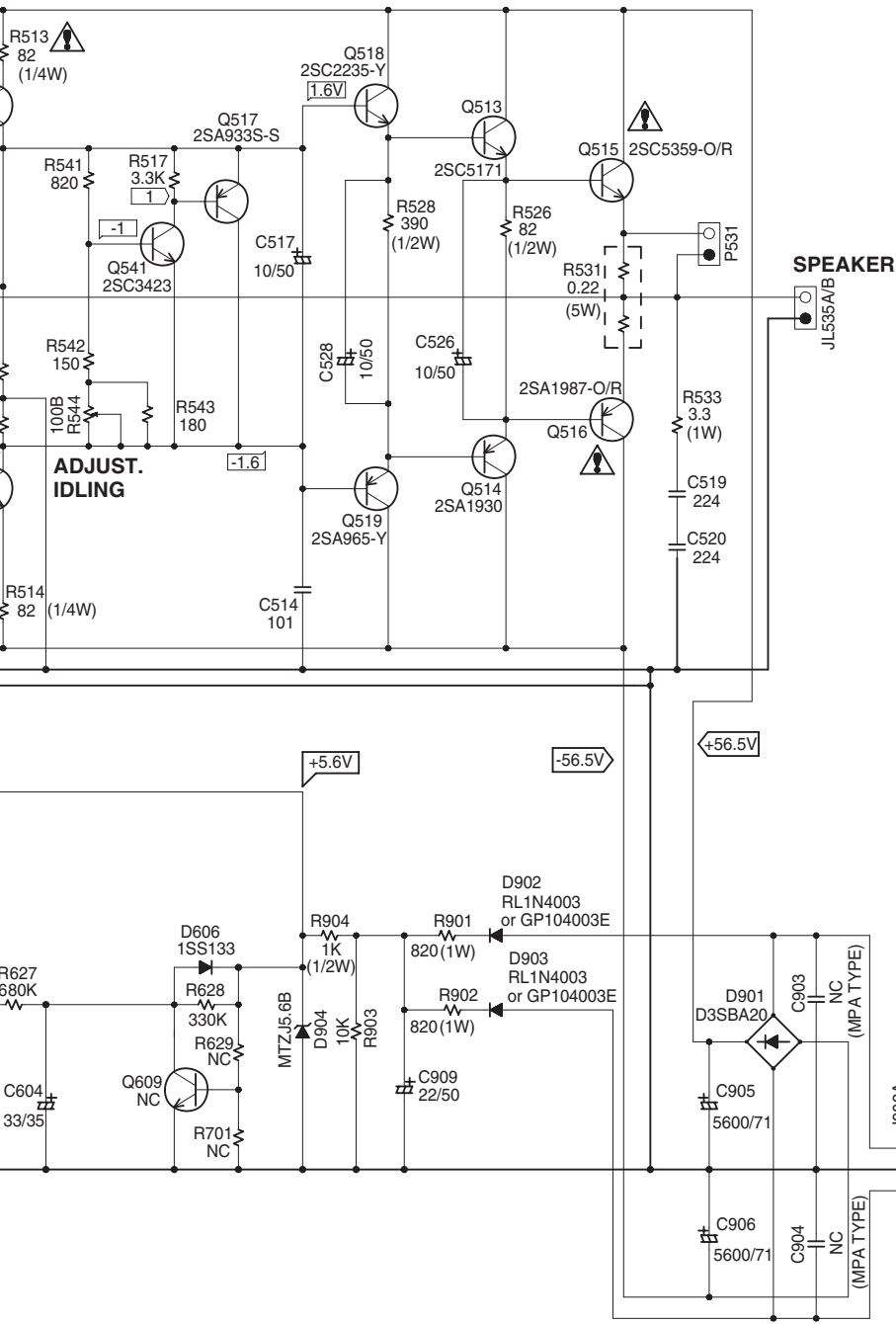
ATTENTION

AFIN D'ASSURER UNE PROTECTION PERMANENTE CONTRE LES RISQUES D'INCENDIE, REMPLACER UNIQUEMENT PAR UN FUSIBLE DE MEME TYPE ET CALIBRATION COMME INDIQUE.



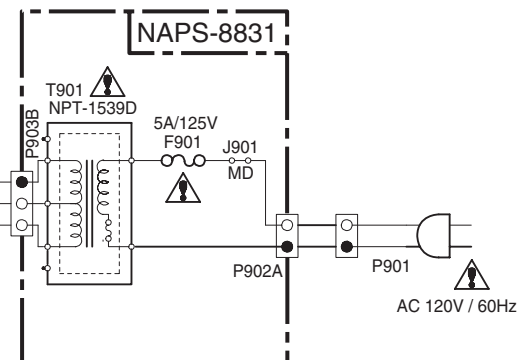
 THIS SYMBOL LOCATED NEAR THE FUSE INDICATES THAT THE FUSE USED IS SLOW OPERATING TYPE FOR CONTINUED PROTECTION AGAINST FIRE HAZARD, REPLACE WITH SAME TYPE FUSE. FOR FUSE RATING REFER TO THE MARKING ADJACENT TO THE SYMBOL.

 CE SYMBOLE INDIQUE QUE LE FUSIBLE UTILISE EST E LENT. POUR UNE PROTECTION PERMANENTE, N'UTILISER QUE DES FUSIBLES DE MEME TYPE. CE DERNIER EST INDIQUE LA QU LE PRESENT SYMBOLE EST APPOSE.



SPEAKER

U03 POWER TRANSFORMER PC BOARD



ADJUSTMENT PROCEDURE

SKW-540 : POWERED SUBWOOFER / ADJUSTMENT OF IDLING CURRENT

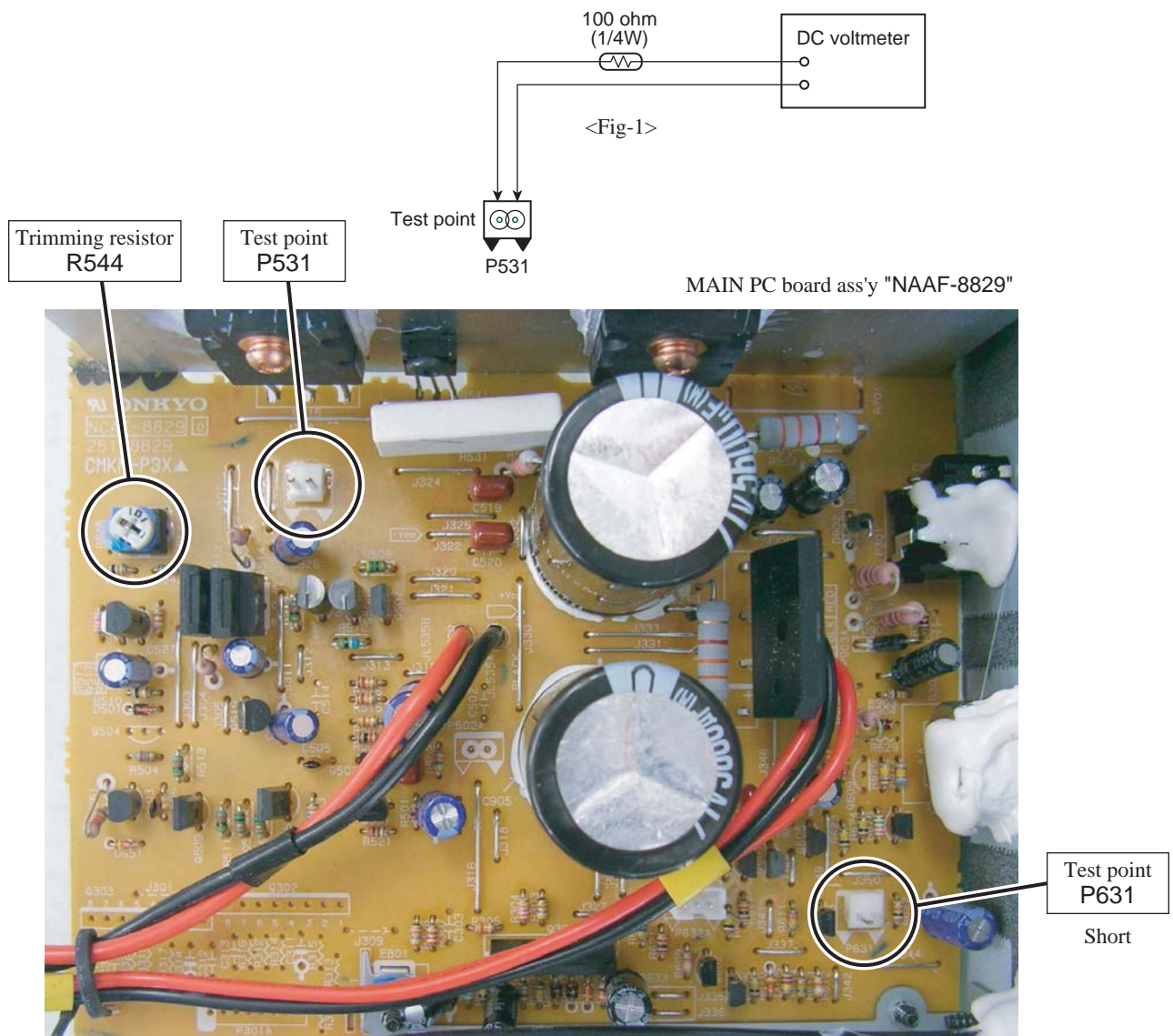
[When]

1. Exchange transistors (Q505 - Q519).
2. Exchange MAIN PC board ass'y (NAAF-8829).

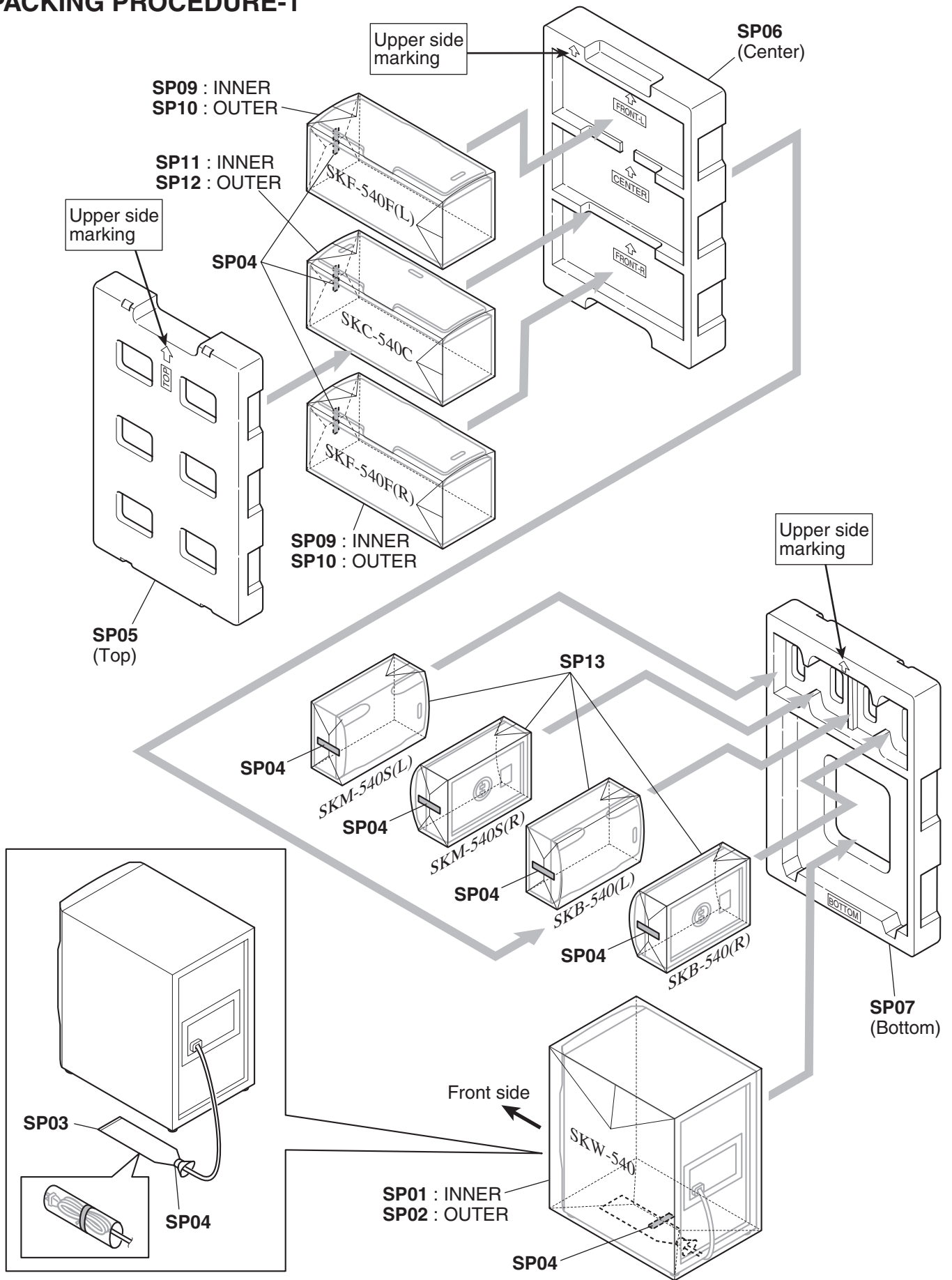
[Procedure]

<Note> No speaker load and No input signal.

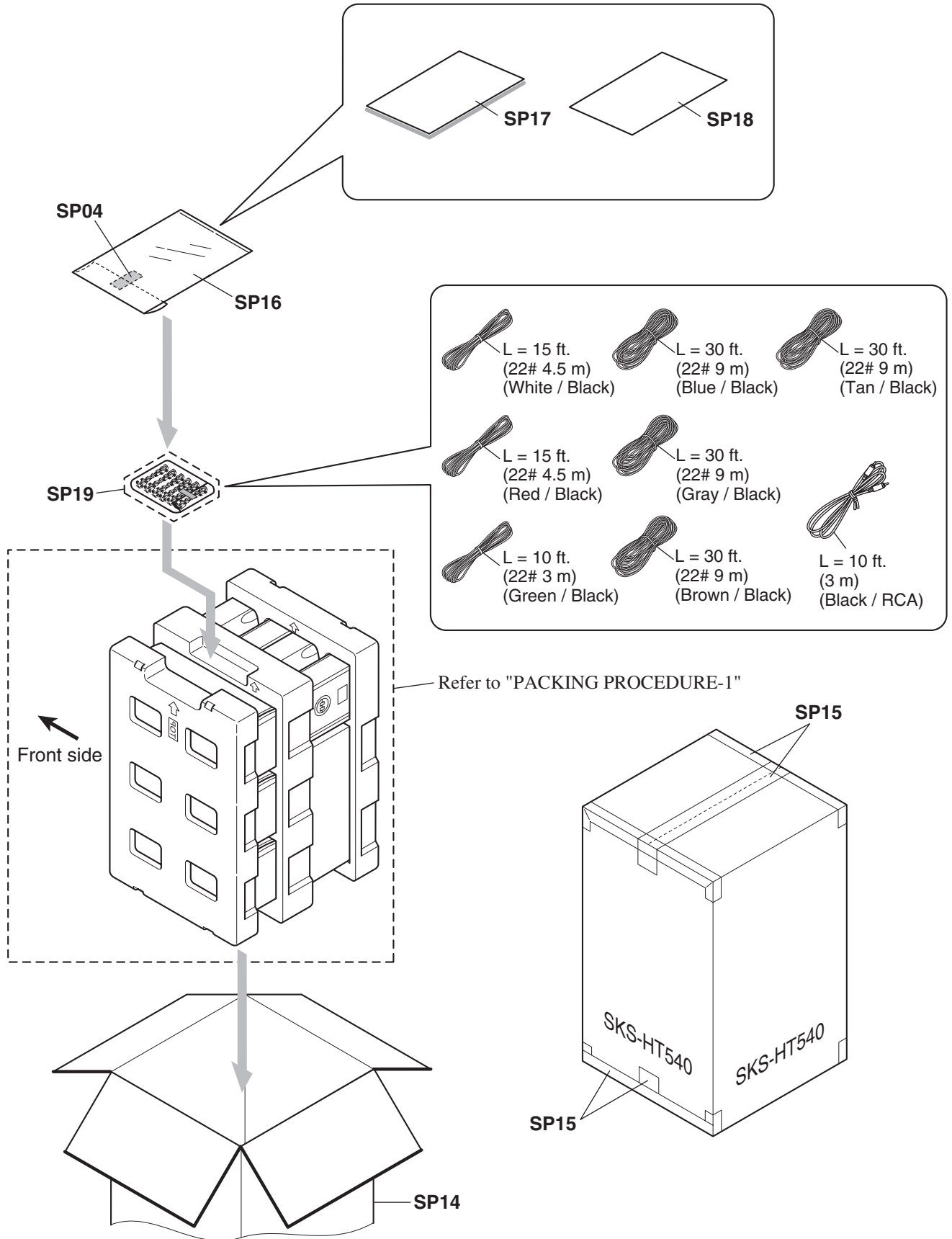
1. Short test point P631 for amplifier is under active mode.
2. Adjust the trimming resistor R544 so that the reading of multimeter becomes 52 ohm to 53 ohm.
3. Connect the DC voltmeter to test point P531. <Fig-1>
4. Connect the AC power cord into a wall outlet.
5. Confirm the voltage of above point after 6 minutes to 8 minutes. (Heat running)
6. When less than 3.20 mV : Readjust the trimming resistor above so that the voltage becomes 4.5 mV to 5.0 mV.
When 3.30 mV to 5.20 mV : Not necessary to adjust.
7. Disconnect the DC voltmeter.
8. Disconnect the AC power cord from a wall outlet.



PACKING PROCEDURE-1



PACKING PROCEDURE-2



SKS-HT540

EXPLODED VIEWS PARTS LIST

NOTE : THE COMPONENTS IDENTIFIED BY THE MARK
! ARE CRITICAL FOR RISK OF FIRE AND
ELECTRIC SHOCK. REPLACE ONLY WITH PART
NUMBER SPECIFIED.

<Notes>

<L> : Lch

<R> : Rch

	REF. NO.	PART NAME	DESCRIPTION	Q'TY	PART NO. (SN)	REMARKS
EXPLODED	SKW-540 (B) : POWERED SUBWOOFER					
EXPLODED	AMPLIFIER SECTION (SKW-540)					
EXPLODED	Q515	TR	2SC5359-R	1	2203082	!
EXPLODED	Q515 or	TR	2SC5359-O	(1)	2203083	!
EXPLODED	Q516	TR	2SA1987-R(Q)	1	2203072	!
EXPLODED	Q516 or	TR	2SA1987-O	(1)	2203073	!
EXPLODED	Q541	TR	2SC3423-Y	1	2202104	
EXPLODED	Q541 or	TR	2SC3423-O	(1)	2202103	
EXPLODED	<Note>					
EXPLODED	When replacement the following the transistor, made from the same HFE rank as the original type.					
EXPLODED	Q515, Q516, Q541					
EXPLODED	A01	HEAT SINK	230	1	27160591	
EXPLODED	A02	CUSHION	---	(2)	28141682	
EXPLODED	A03	CUSHION	---	(2)	28141691	
EXPLODED	A05	SCREW	3TTB+8B(3BC)	10	838430088GR	
EXPLODED	A07	ISO SHEET	AC262	2	223025	
EXPLODED	A08	SCREW	3SMS8W.SW+14B(CU)	2	801634	
EXPLODED	A11	RETAINER	(PCB)	1	27142025	
EXPLODED	A101	REAR PANEL	(MDD)	1	27123556	
EXPLODED	A102	BUSHING	S-RELIEF #2271	1	27300750	!
EXPLODED	A103	KNOB	(VOL)	1	28326463	
EXPLODED	F901	FUSE	5A-UL/T-233	1	252326GR	!
EXPLODED	P901	AC CORD	AS-UC-2	1	253333VOL	!
EXPLODED	P901 or	AC CORD	AS-UC-2	(1)	253368LTK	!
EXPLODED	P901 or	AC CORD	AS-UC-2	(1)	253368YUN	!
EXPLODED	T901	P TRANS	NPT-1539D	1	2301863	!
EXPLODED	U01	MAIN PC BOARD ASS'Y	NAAF-8829-1A	1	1B138529-1A	
EXPLODED	U03	POWER TRANS. PC BOARD ASS'Y	NAPS-8831-1A	1	1B138531-1A	
EXPLODED	U06	HOLDER PC BOARD	NAETC-8834	1	---	NSP
EXPLODED	SPEAKER SECTION (SKW-540)					
EXPLODED	SP01a	CABINET ASS'Y	SKW-540 (B)	1	000-SKW540BSER	
EXPLODED	SP02	FOOT	(PLASTIC)	4	D249-W54001B-00	
EXPLODED	SP03	CUSHION	Dia17.5 x 2T	4	442-902133-00	
EXPLODED	SP04	WOOD SCREW	4STT + 20A (FOR SP / FOOT)	10	837440204	
EXPLODED	SP05	PORT PANEL	---	1	D203-W54001S-90	
EXPLODED	SP06	PAPER TUBE	D91 x D97 x L296	1	430-916290-00	
EXPLODED	SP07	WOOFER	10" 4 ohm 80W (ONKYO ELE)	1	W2301D	
EXPLODED	SP08	LED HARNESS ASS'Y	---	1	335-SKW540-02	
EXPLODED	SP09a	CLOTH FRAME ASS'Y	---	1	D201-W54001B-90	
EXPLODED	SP11	WOOD SCREW	4/16 BIND AB ED (FOR AMP)	10	411-BE4016AB1	

EXPLODED	SP12	SCREW	4 x 25 W12-ED BLK (FOR P-TRANS)	4	412-DE40250B1	
EXPLODED	SP13	CUSHION RUBBER PAD	14 x 89 T2 RUBBER (FOR P-TRANS)	2	442-902123-00	
EXPLODED	SKF-540F (B) <L> / <R> : FRONT SPEAKERS					
EXPLODED	---	COMPLETE UNIT	SKF-540F (B) <L>	1	000-SKF540FLB	<L>
EXPLODED	---	COMPLETE UNIT	SKF-540F (B) <R>	1	000-SKF540FRB	<R>
EXPLODED	SP21a	CABINET ASS'Y	SKF-540F (B) <L>	1	000-SKF540FBLSER	<L>
EXPLODED	SP21b	CABINET ASS'Y	SKF-540F (B) <R>	1	000-SKF540FBRSER	<R>
EXPLODED	SP22	CATCHING HOLDER	---	4	230-S79001B-00	
EXPLODED	SP23	WOOFER	W1278A (ONKYO ELE)	2	W1278A	
EXPLODED	SP24	TWEETER	---	1	302-D1F5400200	
EXPLODED	SP25	PANEL	---	1	D200-F54001S-10	
EXPLODED	SP26	SCREW	4/16 PAN AB, ED	12	411-PE4016AB2	
EXPLODED	SP27	SCREW	3.5/14 PAN P, ED	4	411-PE35140P2	
EXPLODED	SP28	S. ABSORBER	25T x 60 x 60	1	443-925402-00	
EXPLODED	SP29	CUSHION PANEL	1.5T x 80Dia. x 91Dia.	1	442-215107-00	
EXPLODED	SP30	CUSHION TW	4T x 49.5Dia x 76Dia.	1	442-904102-00	
EXPLODED	SP31	NETWORK ASS'Y	---	1	310-SKF530-02	
EXPLODED	SP32a	TERMINAL	WHITE / BLACK	1	332-LY104B-40	<L>
EXPLODED	SP32b	TERMINAL	RED / BLACK	1	332-LY104B-00	<R>
EXPLODED	SP33a	SPEC LABEL (L)	---	1	600-KF540L-00	<L>
EXPLODED	SP33b	SPEC LABEL (R)	---	1	600-KF540R-00	<R>
EXPLODED	SP34a	CLOTH FRAME ASS'Y	(WITH GRILLE CLOTH and LOGO)	1	D201-F54001B-90	
EXPLODED	SKC-540C (B) : CENTER SPEAKER					
EXPLODED	---	COMPLETE UNIT	SKC-540C (B)	1	000-SKC540CB	
EXPLODED	SP41a	CABINET ASS'Y	SKC-540C (B)	1	000-SKC540CBSER	
EXPLODED	SP42	CATCHING HOLDER	---	4	230-S79001B-00	
EXPLODED	SP43	WOOFER	W1278A (ONKYO ELE)	2	W1278A	
EXPLODED	SP44	TWEETER	---	1	302-D1F5400200	
EXPLODED	SP45	PANEL	---	1	D200-F54001S-10	
EXPLODED	SP46	SCREW	4/16 PAN AB, ED	12	411-PE4016AB2	
EXPLODED	SP47	SCREW	3.5/14 PAN P, ED	4	411-PE35140P2	
EXPLODED	SP48	S. ABSORBER	25T x 60 x 60	1	443-925402-00	
EXPLODED	SP49	CUSHION PANEL	1.5T x 80Dia. x 91Dia.	1	442-215107-00	
EXPLODED	SP50	CUSHION TW	4T x 49.5Dia x 76Dia.	1	442-904102-00	
EXPLODED	SP51	NETWORK ASS'Y	---	1	310-SKF530-02	
EXPLODED	SP52	TERMINAL	GREEN / BLACK	1	332-LY104B-30	
EXPLODED	SP53	SPEC LABEL	---	1	600-SKC540-00	
EXPLODED	SP54a	CLOTH FRAME ASS'Y	(WITH GRILLE CLOTH and LOGO)	1	D201-C54001B-90	
EXPLODED	SKM-540S (B) <L> / <R> : SURROUND SPEAKERS					
EXPLODED	SP61a	COMPLETE UNIT	"SKM-540S (B) <L>"	1	000-SKM540SLBBSER	<L>
EXPLODED	SP62	SPEC LABEL (L)	---	1	600-KM540L-00	<L>
EXPLODED	SP63a	COMPLETE UNIT	"SKM-540S (B) <R>"	1	000-SKM540SRBBSER	<R>
EXPLODED	SP64	SPEC LABEL (R)	---	1	600-KM540R-00	<R>
EXPLODED	SKB-540 (B) <L> / <R> : SURROUND BACK SPEAKERS					
EXPLODED	SP65a	COMPLETE UNIT	"SKB-540 (B) <L>"	1	000-SKB540BLBBSER	<L>
EXPLODED	SP66	SPEC LABEL (L)	---	1	600-KB540L-00	<L>
EXPLODED	SP67a	COMPLETE UNIT	"SKB-540 (B) <R>"	1	000-SKB540BRBBSER	<R>
EXPLODED	SP68	SPEC LABEL (R)	---	1	600-KB540R-00	<R>

PRINTED CIRCUIT BOARD PARTS LIST

NOTE : THE COMPONENTS IDENTIFIED BY THE MARK
**! ARE CRITICAL FOR RISK OF FIRE AND
 ELECTRIC SHOCK. REPLACE ONLY WITH PART
 NUMBER SPECIFIED.**

SKW-540

U01 MAIN PC BOARD (NAAF-8829-1A)

U03 POWER TRANS. PC BOARD (NAPS-8831-1A)

	CIRCUIT NO.	PART NAME	DESCRIPTION	Q'TY	PART NO. (SN)	REMARKS
PWB		<Note>				
PWB		When replacement the following the transistor, made from the same HFE rank as the original type.				
PWB	Q301	IC	NJM4558L-D	1	22240293	
PWB	Q501	TR	2SC2240-BL(TPE2_F)	1	2211406T	
PWB	Q502	TR	2SC2240-BL(TPE2_F)	1	2211406T	
PWB	Q503	TR	2SC2240-BL(TPE2_F)	1	2211406T	
PWB	Q505	TR	KTA1024-Y	1	2215844T	
PWB	Q505 or	TR	2SA949-Y(TPE6_F)	(1)	2211354T	
PWB	Q505 or	TR	2SA949-O(TPE6_F)	(1)	2211353T	
PWB	Q506	TR	2SC2229-Y(TPE6_F)	1	2211634T	
PWB	Q506 or	TR	2SC2229-O(TPE6_F)	(1)	2211633T	
PWB	Q507	TR	2SA949-Y(TPE6_F)	1	2211354T	
PWB	Q507 or	TR	2SA949-O(TPE6_F)	(1)	2211353T	
PWB	Q507 or	TR	KTA1024-Y	(1)	2215844T	
PWB	Q509	TR	KTA1024-Y	1	2215844T	
PWB	Q509 or	TR	2SA949-Y(TPE6_F)	(1)	2211354T	
PWB	Q509 or	TR	2SA949-O(TPE6_F)	(1)	2211353T	
PWB	Q510	TR	KTC3206-Y	1	2215854T	
PWB	Q510 or	TR	2SC2229-Y(TPE6_F)	(1)	2211634T	
PWB	Q510 or	TR	2SC2229-O(TPE6_F)	(1)	2211633T	
PWB	Q513	TR	KTD2061-Y	1	2203434	
PWB	Q513 or	TR	2SC5171(ONK_Q)	(1)	2203010	
PWB	Q514	TR	KTB1369-Y	1	2203424	
PWB	Q514 or	TR	2SA1930(ONK_Q)	(1)	2203000	
PWB	Q517	TR	2SA933S-S	1	2213355T	
PWB	Q517 or	TR	2SA933S-R	(1)	2213354T	
PWB	Q517 or	TR	KTA1267-GR	(1)	2215995T	
PWB	Q518	TR	2SC2235-Y(TPE6_F)	1	2211654T	
PWB	Q519	TR	2SA965-Y(TPE6_F)	1	2211644T	
PWB	Q602	TR	KRC103M	1	2215810T	
PWB	Q602 or	TR	DTC124ES	(1)	2213160T	
PWB	Q603	TR	2SC1740S-S	1	2213285T	
PWB	Q603 or	TR	2SC1740S-R	(1)	2213284T	
PWB	Q603 or	TR	KTC3199-GR	(1)	2215864T	
PWB	Q604	TR	2SA933S-S	1	2213355T	
PWB	Q604 or	TR	2SA933S-R	(1)	2213354T	
PWB	Q604 or	TR	KTA1267-GR	(1)	2215995T	
PWB	Q605	TR	2SA933S-S	1	2213355T	
PWB	Q605 or	TR	2SA933S-R	(1)	2213354T	
PWB	Q605 or	TR	KTA1267-GR	(1)	2215995T	
PWB	Q606	TR	KRA103M	1	2215780T	

PWB	Q606 or	TR	DTA124ES	(1)	2212600T
PWB	Q607	TR	2SA933S-S	1	2213355T
PWB	Q607 or	TR	2SA933S-R	(1)	2213354T
PWB	Q607 or	TR	KTA1267-GR	(1)	2215995T
PWB	Q608	TR	2SC1740S-S	1	2213285T
PWB	Q608 or	TR	2SC1740S-R	(1)	2213284T
PWB	Q608 or	TR	KTC3199-GR	(1)	2215864T
PWB	D501	ZENER D	MTZJ5.6B	1	224470562T
PWB	D501 or	ZENER D	DZ-5.6BSB	(1)	224850562T
PWB	D601	ZENER D	MTZJ2.7B	1	224470272T
PWB	D601 or	ZENER D	DZ-2.7BSB	(1)	224850272T
PWB	D602	ZENER D	MTZJ2.7B	1	224470272T
PWB	D602 or	ZENER D	DZ-2.7BSB	(1)	224850272T
PWB	D603	DIODE	ISS133	1	223163T
PWB	D603 or	DIODE	ISS133(DS)	(1)	223280T
PWB	D605	DIODE	ISS133	1	223163T
PWB	D605 or	DIODE	ISS133(DS)	(1)	223280T
PWB	D606	DIODE	ISS133	1	223163T
PWB	D606 or	DIODE	ISS133(DS)	(1)	223280T
PWB	D651	DIODE	ISS133	1	223163T
PWB	D651 or	DIODE	ISS133(DS)	(1)	223280T
PWB	D901	DIODE	D3SBA20	1	22380271F
PWB	D902	DIODE	RL1N4003	1	22380260T
PWB	D902 or	DIODE	GP104003E	(1)	22380035T
PWB	D903	DIODE	RL1N4003	1	22380260T
PWB	D903 or	DIODE	GP104003E	(1)	22380035T
PWB	D904	ZENER D	MTZJ5.6B	1	224470562T
PWB	D904 or	ZENER D	DZ-5.6BSB	(1)	224850562T
PWB	D951	ZENER D	MTZJ15C	1	224471503T
PWB	D951 or	ZENER D	DZ-15BSC	(1)	224851503T
PWB	D952	ZENER D	MTZJ15C	1	224471503T
PWB	D952 or	ZENER D	DZ-15BSC	(1)	224851503T
PWB	C302	VX C	CE04W50V-47M(VX_BLK)	1	397384707T
PWB	C501	VX C	CE04W50V-47M(VX_BLK)	1	397384707T
PWB	C503	TF C	ECQ-V50V-224J	1	374722244T
PWB	C504	VX C	CE04W16V-220M(VX)	1	393342217T
PWB	C505	CERA C	CC45CH50V-020C	1	345340201T
PWB	C506	CERA C	CC45CH50V-070D	1	345340702T
PWB	C514	TF C	ECQ-B50V-101J	1	374721014T
PWB	C517	VX C	CE04W50V-10M(VX)	1	393381007T
PWB	C519	TF C	ECQ-V50V-224J	1	374722244T
PWB	C520	TF C	ECQ-V50V-224J	1	374722244T
PWB	C526	VX C	CE04W50V-10M(VX)	1	393381007T
PWB	C527	VX C	CE04W50V-1M(VX_BLK)	1	397380107T
PWB	C528	VX C	CE04W50V-10M(VX)	1	393381007T
PWB	C601	VR C	CE04W50V-10M(VR)	1	394681007T
PWB	C602	VR C	CE04W50V-10M(VR)	1	394681007T
PWB	C603	VR C	CE04W10V-470M(VR)	1	394634717T
PWB	C603 or	VX C	CE04W16V-470M(VX_BLK)	(1)	397344717T
PWB	C604	VR C	CE04W35V-33M(VR)	1	394663307T
PWB	C604 or	ELECT C	CE04W35V-33M	(1)	354763309T

PWB	C905	ELECT C	CE62W71V5600M	1	3504444	
PWB	C906	ELECT C	CE62W71V5600M	1	3504444	
PWB	C909	VR C	CE04W50V-22M(VR)	1	394682207T	
PWB	C950	TF C	ECQ-V50V-104J	1	374721044T	
PWB	C951	VR C	CE04W16V-220M(VR)	1	394642217T	
PWB	C952	VR C	CE04W16V-220M(VR)	1	394642217T	
PWB	C955	TF C	ECQ-B50V-223J	1	374722234T	
PWB	R301	CARBON R	R16J-1K	1	417341024T	
PWB	R302	VARI R	N17RGL20KB15M	1	5151508	
PWB	R303	CARBON R	R16J-47K	1	417344734T	
PWB	R304	CARBON R	R16J-27K	1	417342734T	
PWB	R305	CARBON R	R16J-33K	1	417343334T	
PWB	R306	CARBON R	R16J-47K	1	417344734T	
PWB	R307	CARBON R	R16J-2.2K	1	417342224T	
PWB	R501	CARBON R	R16J-1K	1	417341024T	
PWB	R502	CARBON R	R16J-47K	1	417344734T	
PWB	R503	CARBON R	R16J-5.6K	1	417345624T	
PWB	R504	CARBON R	R16J-2.2K	1	417342224T	
PWB	R505	NF CARBON R	R25J-1.0K	1	415471024T	!
PWB	R506	NF CARBON R	R25J-1.0K	1	415471024T	!
PWB	R507	CARBON R	R16J-33K	1	417343334T	
PWB	R508	NF CARBON R	R25J-47	1	415474704T	!
PWB	R509	CARBON R	R16J-1K	1	417341024T	
PWB	R510	CARBON R	R16J-100K	1	417341044T	
PWB	R511	NF CARBON R	R25J-82	1	415478204T	!
PWB	R512	NF CARBON R	R25J-68	1	415476804T	!
PWB	R513	NF CARBON R	R25J-82	1	415478204T	!
PWB	R514	NF CARBON R	R25J-82	1	415478204T	!
PWB	R515	CARBON R	R16J-12K	1	417341234T	
PWB	R516	CARBON R	R16J-12K	1	417341234T	
PWB	R517	CARBON R	R16J-3.3K	1	417343324T	
PWB	R521	CARBON R	R16J-220	1	417342214T	
PWB	R522	CARBON R	R16J-220	1	417342214T	
PWB	R526	METAL O R	RS1/2WBJ-82	1	443528204T	
PWB	R527	CARBON R	R16J-270	1	417342714T	
PWB	R528	METAL O R	RS1/2WBJ-390	1	443523914T	
PWB	R531	METAL PR	RF-5EGKR22	1	4000201	
PWB	R531 or	METAL P R	RGC55C 0.22 K	(1)	4000157	
PWB	R531 or	METAL PR	RGC55 0.22	(1)	4000132	
PWB	R533	METAL R	RNU1WCJ-3.3	1	453630334T	
PWB	R541	CARBON R	R16J-820	1	417348214T	
PWB	R542	CARBON R	R16J-150	1	417341514T	
PWB	R543	CARBON R	R16J-180	1	417341814T	
PWB	R544	TRIM R	N06HR100BC	1	5210359T	
PWB	R601	CARBON R	R16J-5.6K	1	417345624T	
PWB	R602	CARBON R	R16J-100K	1	417341044T	
PWB	R603	CARBON R	R16J-150K	1	417341544T	
PWB	R604	CARBON R	R16J-180	1	417341814T	
PWB	R605	CARBON R	R16J-22	1	417342204T	
PWB	R609	CARBON R	R16J-39K	1	417343934T	
PWB	R610	CARBON R	R16J-560K	1	417345644T	

PWB	R611	CARBON R	R16J-820K	1	417348244T	
PWB	R612	CARBON R	R16J-39K	1	417343934T	
PWB	R613	CARBON R	R16J-470K	1	417344744T	
PWB	R614	CARBON R	R16J-120K	1	417341244T	
PWB	R615	CARBON R	R16J-22K	1	417342234T	
PWB	R616	CARBON R	R16J-100K	1	417341044T	
PWB	R617	CARBON R	R16J-1K	1	417341024T	
PWB	R619	CARBON R	R16J-22K	1	417342234T	
PWB	R620	CARBON R	R16J-100K	1	417341044T	
PWB	R621	CARBON R	R16J-1K	1	417341024T	
PWB	R622	CARBON R	R16J-10K	1	417341034T	
PWB	R623	CARBON R	R16J-100K	1	417341044T	
PWB	R624	CARBON R	R16J-100K	1	417341044T	
PWB	R625	CARBON R	R16J-180K	1	417341844T	
PWB	R626	CARBON R	R16J-2.2M	1	417342254T	
PWB	R627	CARBON R	R16J-680K	1	417346844T	
PWB	R628	CARBON R	R16J-330K	1	417343344T	
PWB	R651	METAL O R	RS1/2WBJ-12K	1	443521234T	
PWB	R901	METAL O R	RS1WBJ-820	1	443628214T	
PWB	R902	METAL O R	RS1WBJ-820	1	443628214T	
PWB	R903	CARBON R	R16J-10K	1	417341034T	
PWB	R904	METAL O R	RS1/2WBJ-1K	1	443521024T	
PWB	R951	METAL O R	RS2WBJ-3.3K	1	441723324F	
PWB	R952	METAL O R	RS2WBJ-3.3K	1	441723324F	
PWB	F901A	FUSE HOL	NSCT-1P2506	1	25052609T	!
PWB	F901A or	FUSE HOL	NSCT-1P2031	(1)	25052133T	!
PWB	F901B	FUSE HOL	NSCT-1P2506	1	25052609T	!
PWB	F901B or	FUSE HOL	NSCT-1P2031	(1)	25052133T	!
PWB	JL535A	SOCKET AS	NSAS-2P1335	1	2009990876UL	
PWB	P301	PIN JACK	NPJ-1PDB556	1	25045774	
PWB	P301 or	PIN JACK	NPJ-1PDB581	(1)	25045801	
PWB	P531	PLUG	NPLG-2P29	1	25055038	
PWB	P631	PLUG	NPLG-2P29	1	25055038	
PWB	P632A	PLUG	NPLG-3P131	1	25055147	
PWB	P902A	PLUG	NPLG-2P632	1	25055676	!
PWB	P903A	SOCKET AS	NSAS-6P1536	1	2009990969UL	
PWB	P903B	PLUG	NPLG-3P150	1	25055166	
PWB	P911	WS CLAMP	CB-71683(L=50)	1	260261	
PWB	E801	RETAINER	KANAGU(EARTH)	1	27141059	

SKS-HT540

PACKING PROCEDURE PARTS LIST

	REF. NO.	PART NAME	DESCRIPTION	Q'TY	PART NO. (SN)	REMARKS
PACKING	SP01	MIRAMAT SHEET	L550 x W1950 x T0.5 (FOR SKW)	1	715-220011-00	
PACKING	SP02	PE BAG	L1000 x W720 x T0.025 (FOR SKW)	1	700-820013-11	
PACKING	SP03	POLY BAG	300 x 100 (FOR AC CORD)	1	700-210001-11	
PACKING	SP04	TAPE	(SEROHAN) NITTO NO.29 (Yellow)	(1)	29110149	
PACKING	SP05	POLYFOAM TOP	(TOP)	1	720-TS790T-00	
PACKING	SP06	POLYFOAM CENTER	(CENTER)	1	720-TS790C-00	

PACKING	SP07	POLYFOAM BOTTOM	(BOTTOM)	1	720-TS790B-00
PACKING	SP09	MIRAMAT SHEET	L310 x W1400 x T0.5 (FOR SKF)	2	715-220005-00
PACKING	SP10	PE BAG	L665 x W405 x T0.025 (FOR SKF)	2	700-820014-11
PACKING	SP11	MIRAMAT SHEET	L310 x W1400 x T0.5 (FOR SKC)	1	715-220005-00
PACKING	SP12	PE BAG	L665 x W405 x T0.025 (FOR SKC)	1	700-820014-11
PACKING	SP13	PE BAG	L440 x W320 x T0.025 (FOR SKM/SKB)	4	700-820012-11
PACKING	SP14	CARTON BOX	SKS-HT540 (B) MDC	1	730-1P540B-10
PACKING	SP15	PP TAPE	W50	(1)	29110071 or
PACKING	SP15 or	PP TAPE	W48 OPP TAPE	(1)	29110148 or
PACKING	SP15 or	PP TAPE	NITTO 3703 SUPER W50L100	(1)	29110176
PACKING	SP16	POLY BAG	350 x 250	1	29100097-1A
PACKING	SP17	INS MANUAL	En (SKS-HT540) (29344233)	1	650-0HT540-00
PACKING	SP18	WRNTY CARD	(ONKYO)	1	29365102A
PACKING	SP19	CABLE SET	SP CABLE / RCA CABLE / POLY BAG	1	319-HTS780-00

ONKYO CORPORATION

Sales & Product Planning Div. : 2-1, Nisshin-cho, Neyagawa-shi, OSAKA 572-8540, JAPAN
Tel: 072-831-8023 Fax: 072-831-8124

ONKYO U.S.A. CORPORATION

18 Park Way, Upper Saddle River, N.J. 07458, U.S.A.
Tel: 201-785-2600 Fax: 201-785-2650 <http://www.us.onkyo.com/>

ONKYO EUROPE ELECTRONICS GmbH

Liegnitzerstrasse 6, 82194 Groebenzell, GERMANY
Tel: +49-8142-4401-0 Fax: +49-8142-4401-555 <http://www.eu.onkyo.com/>

ONKYO EUROPE UK Office

Suite 1, Gregories Court, Gregories Road, Beaconsfield, Buckinghamshire, HP9 1HQ
UNITED KINGDOM Tel: +44-(0)1494-681515 Fax: +44(0)-1494-680452

ONKYO CHINA LIMITED

Units 2102-2107, Metroplaza Tower I, 223 Hing Fong Road, Kwai Chung,
N.T., HONG KONG Tel: 852-2429-3118 Fax: 852-2428-9039
<http://www.ch.onkyo.com/>

